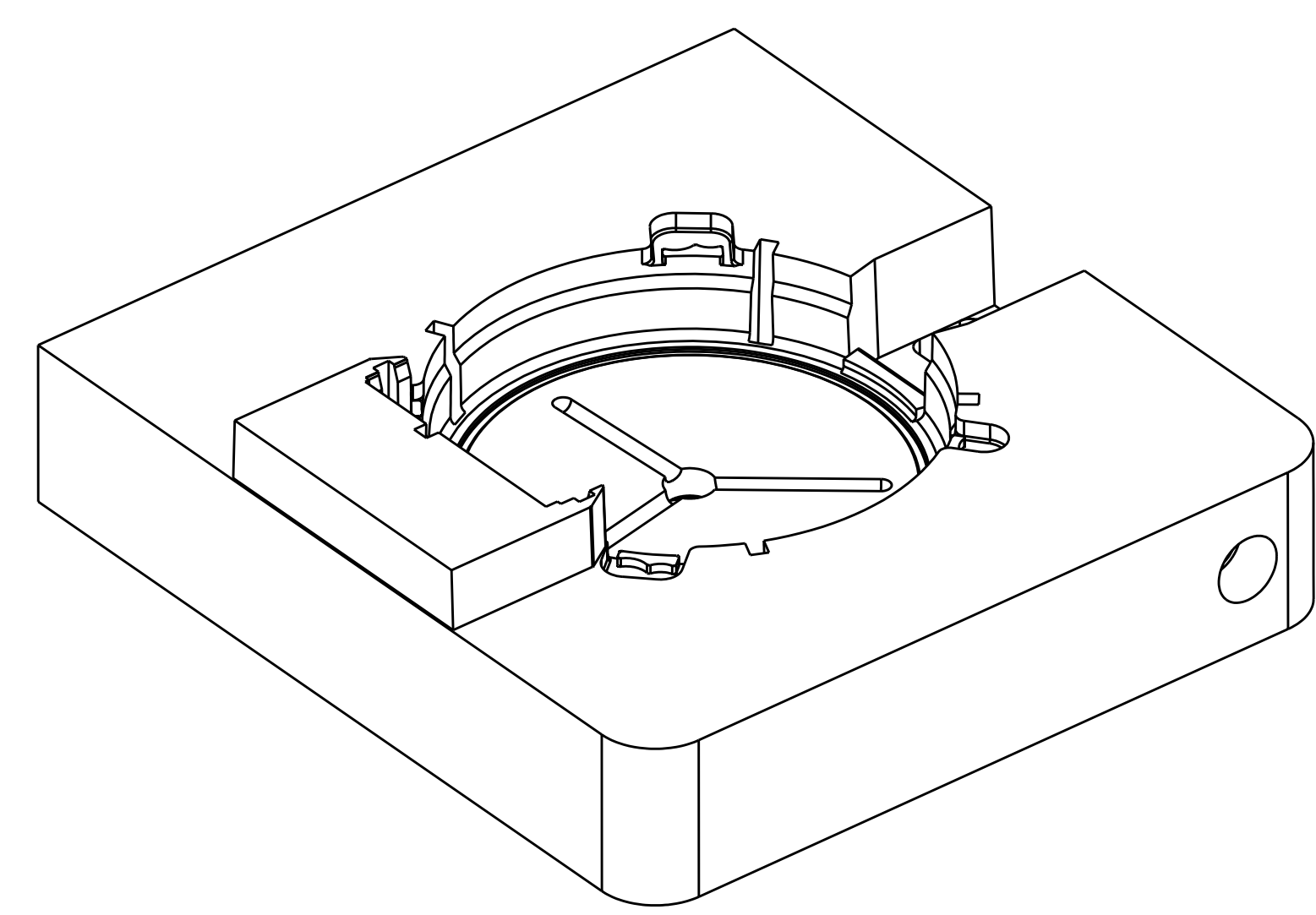
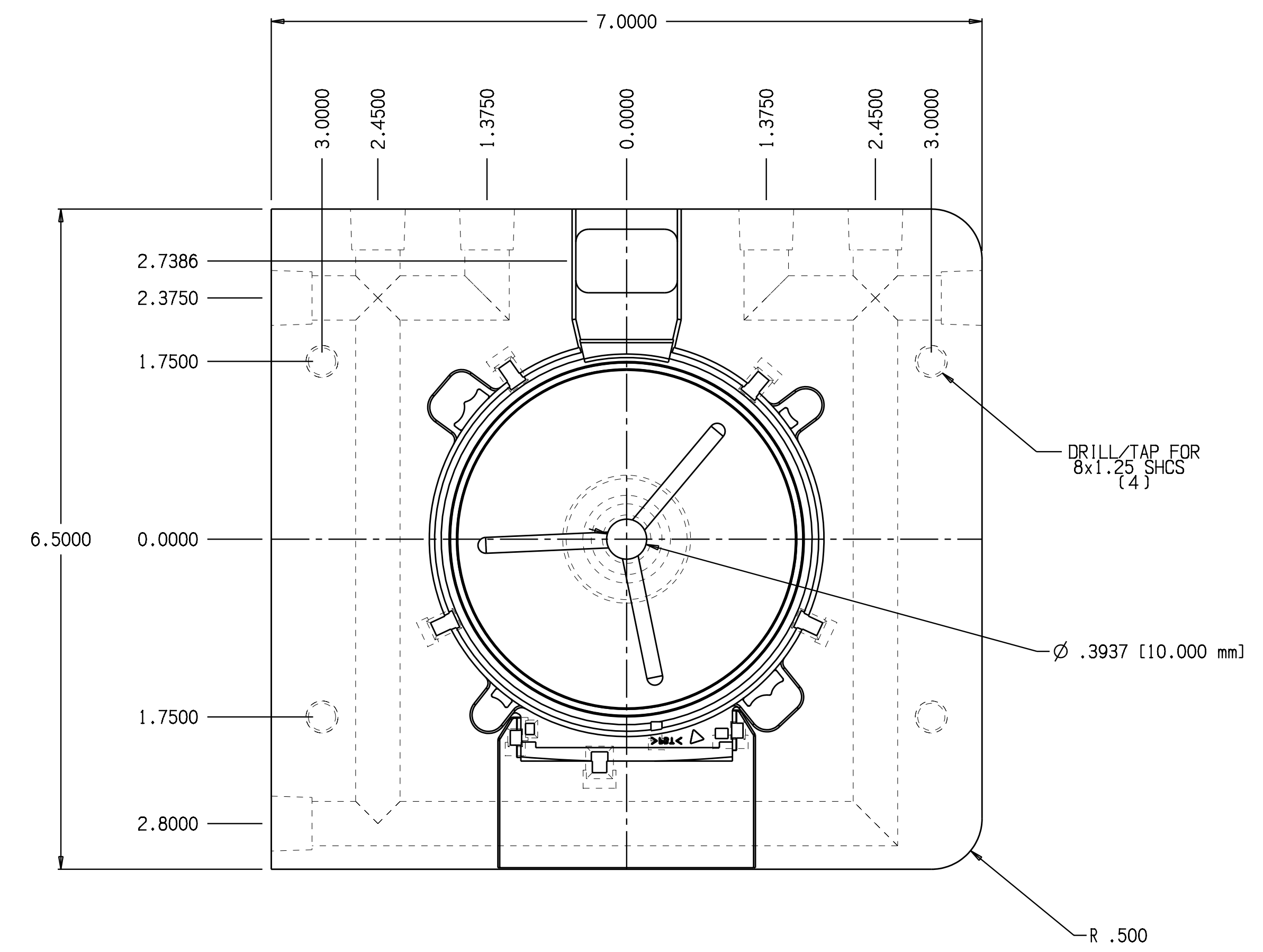
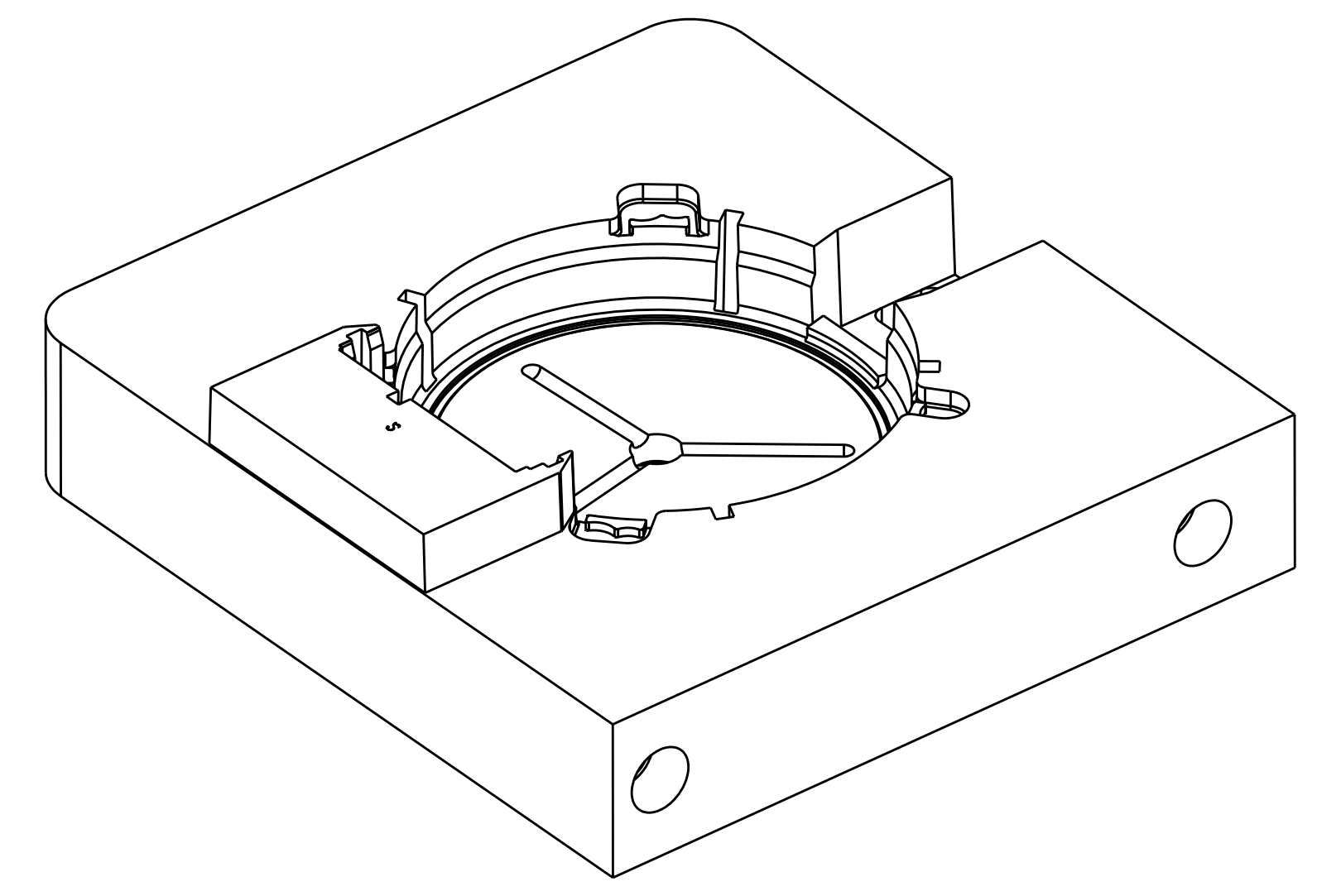


THIS DRAWING IS A CONTROLLED DOCUMENT

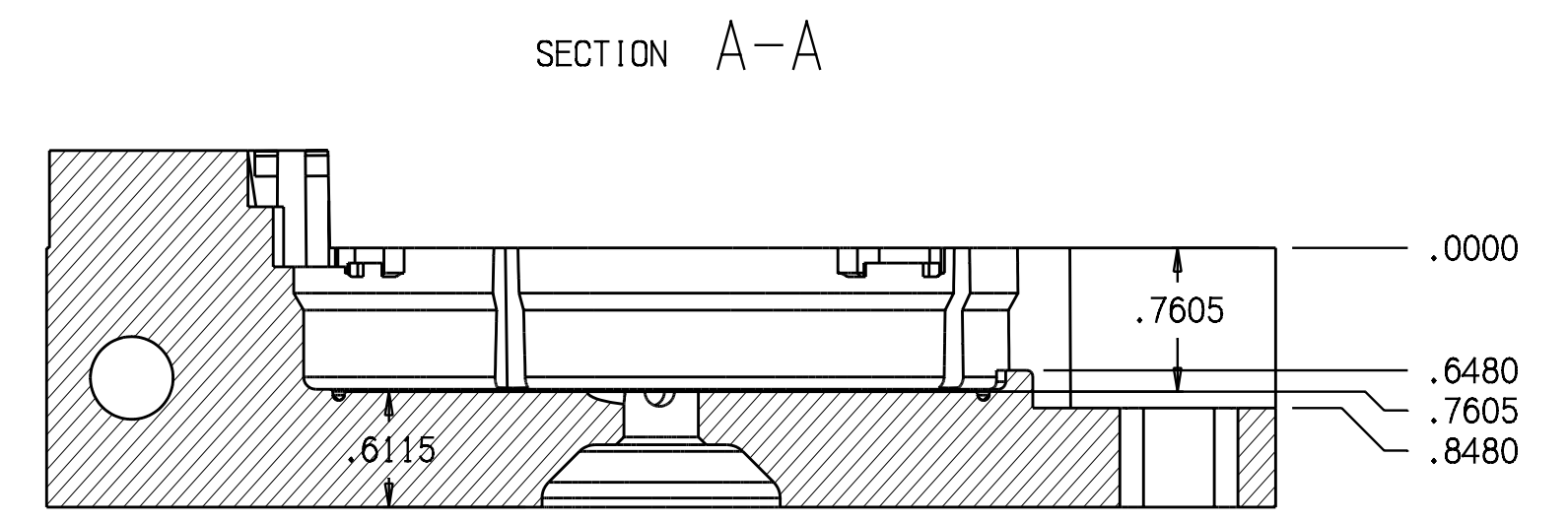
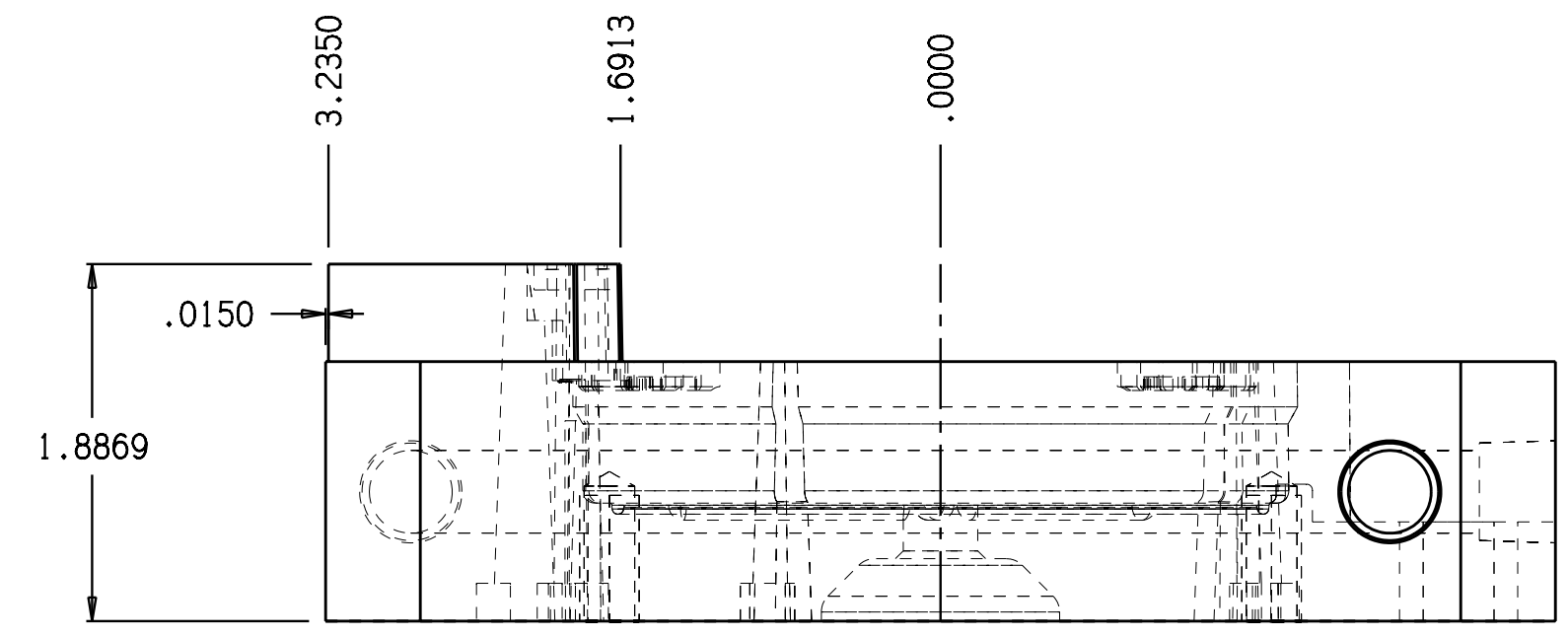
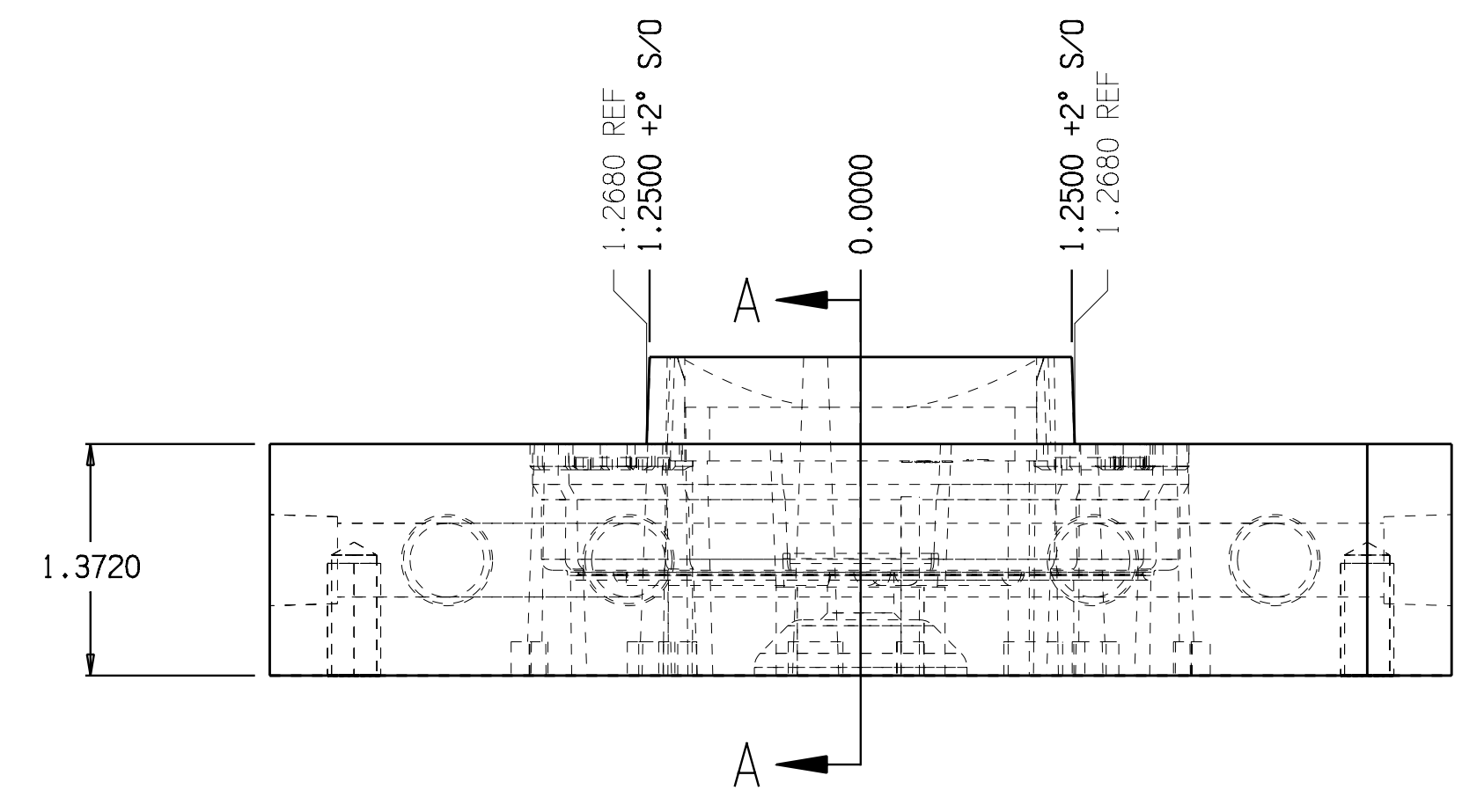
REVISIONS			
REV	DESCRIPTION	DATE	EC



A-CAVITY BLOCK
 MATL: H-13 HRC 48-50
 QTY: 2
 1 AS SHOW
 1 W/ WATER AND
 RADS MIRRORED



A-CAVITY MIRROR



SECTION A-A

THIS INFORMATION IS CONFIDENTIAL AND PROPRIETARY TO CONCEPT MILLS, INC. IT MAY NOT BE DISCLOSED TO ANYONE OTHER THAN CONCEPT MILLS PERSONNEL WITHOUT WRITTEN AUTHORIZATION FROM CONCEPT MILLS, INC., SCHOONCRAFT, MI.

DIMENSIONS: INCHES 	TOLERANCES UNLESS OTHERWISE SPECIFIED: 0 PLC ±- 1 PLC ±.01 2 PLC ±.004 3 PLC ±.001 4 PLC ±.0005 ANGLES ±0°30'	DWN: 09/28/05 M WHEELRIGHT	MATERIAL: H-13 HEAT TREAT:	QUANTITY:
		CHK:		12273 N US 131 SCHOONCRAFT, MI 49087 (269) 679-2100
APVD:		SHRINK: 1.022" /" CUSTOMER TOL. #		
		NAME: A-CAVITY DETAIL		
SCALE: 1:1	SIZE: D	DRAWING NO: 2621-200	SHEET: 1 OF 4	REV: