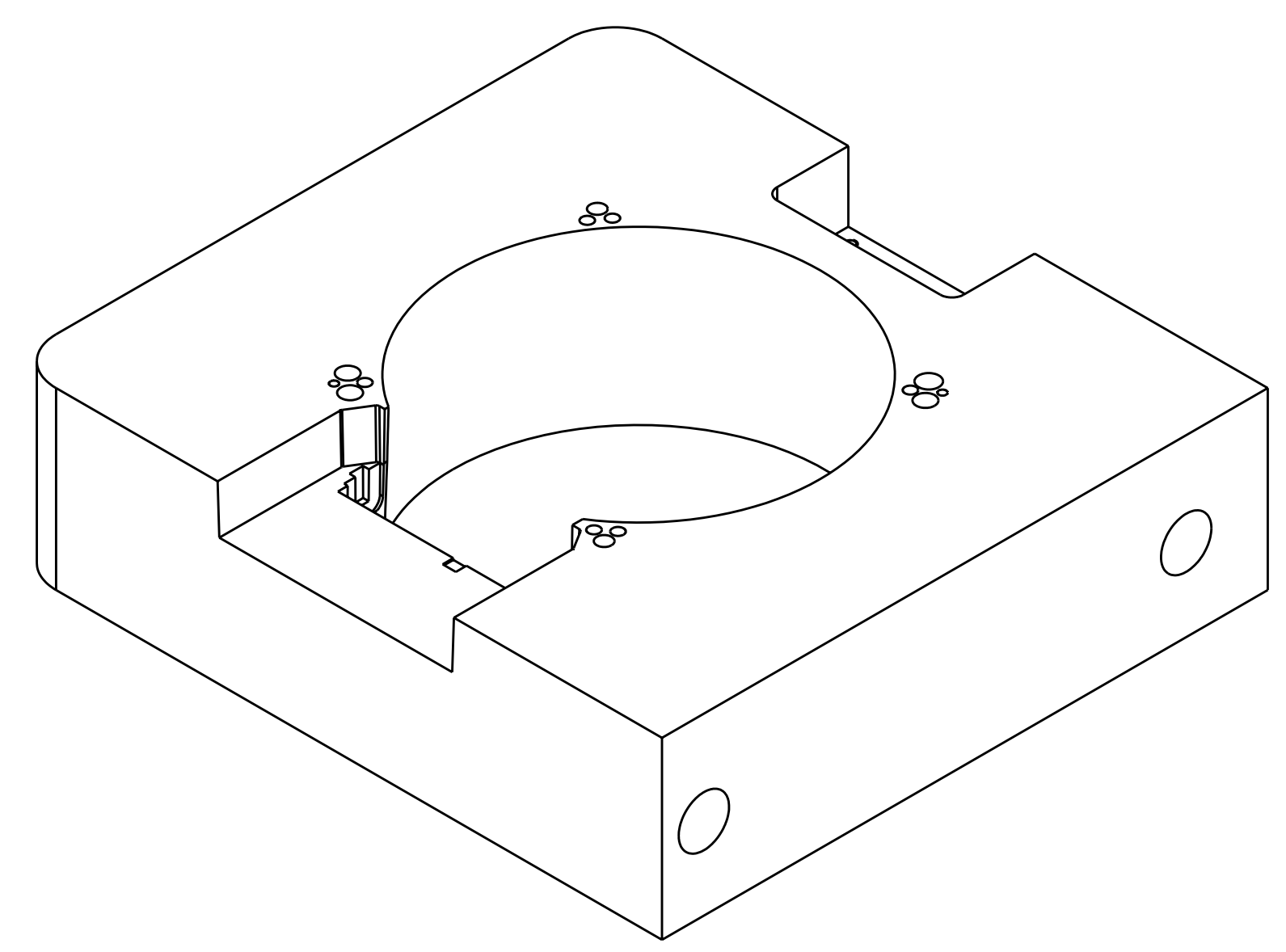
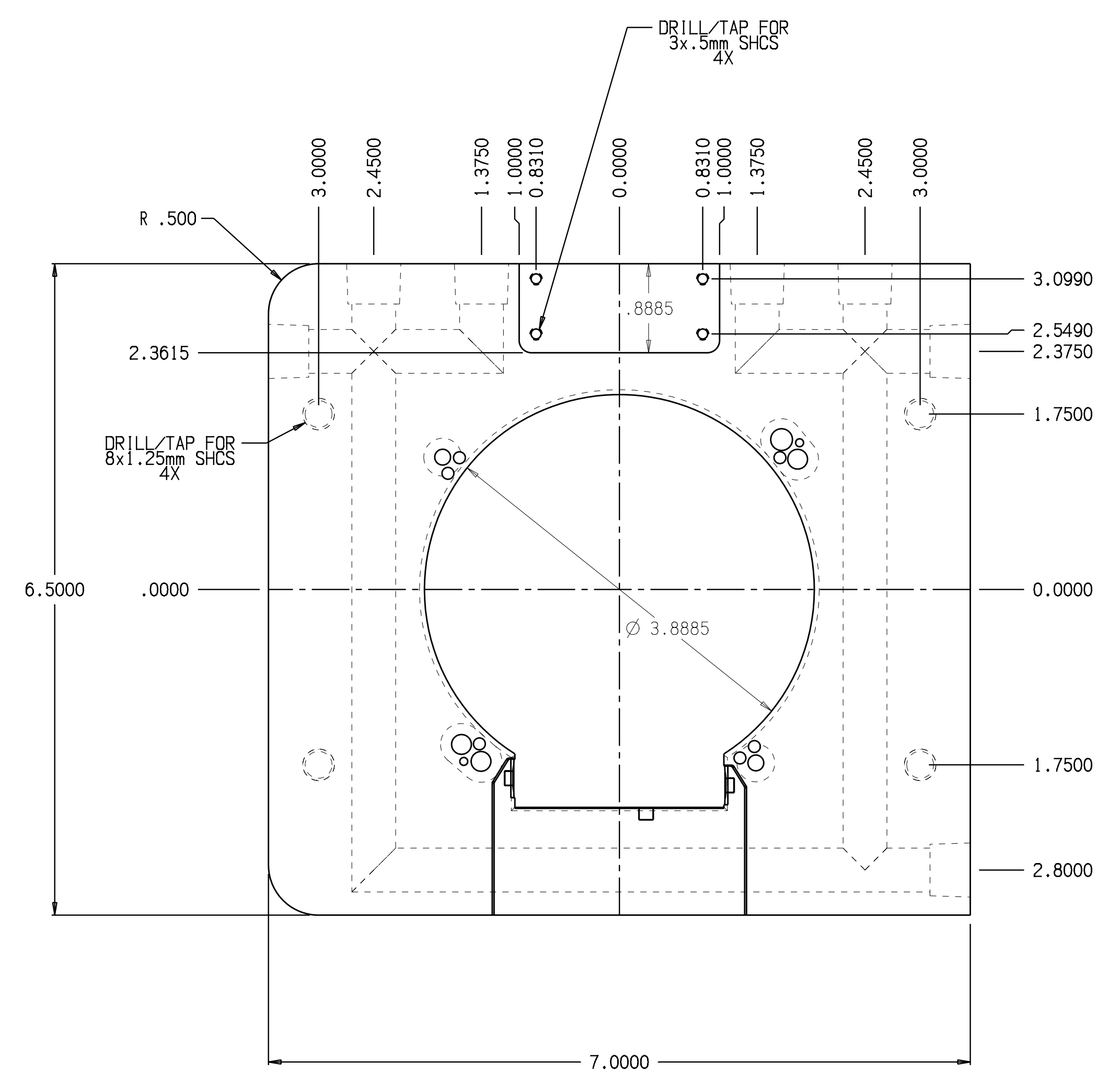
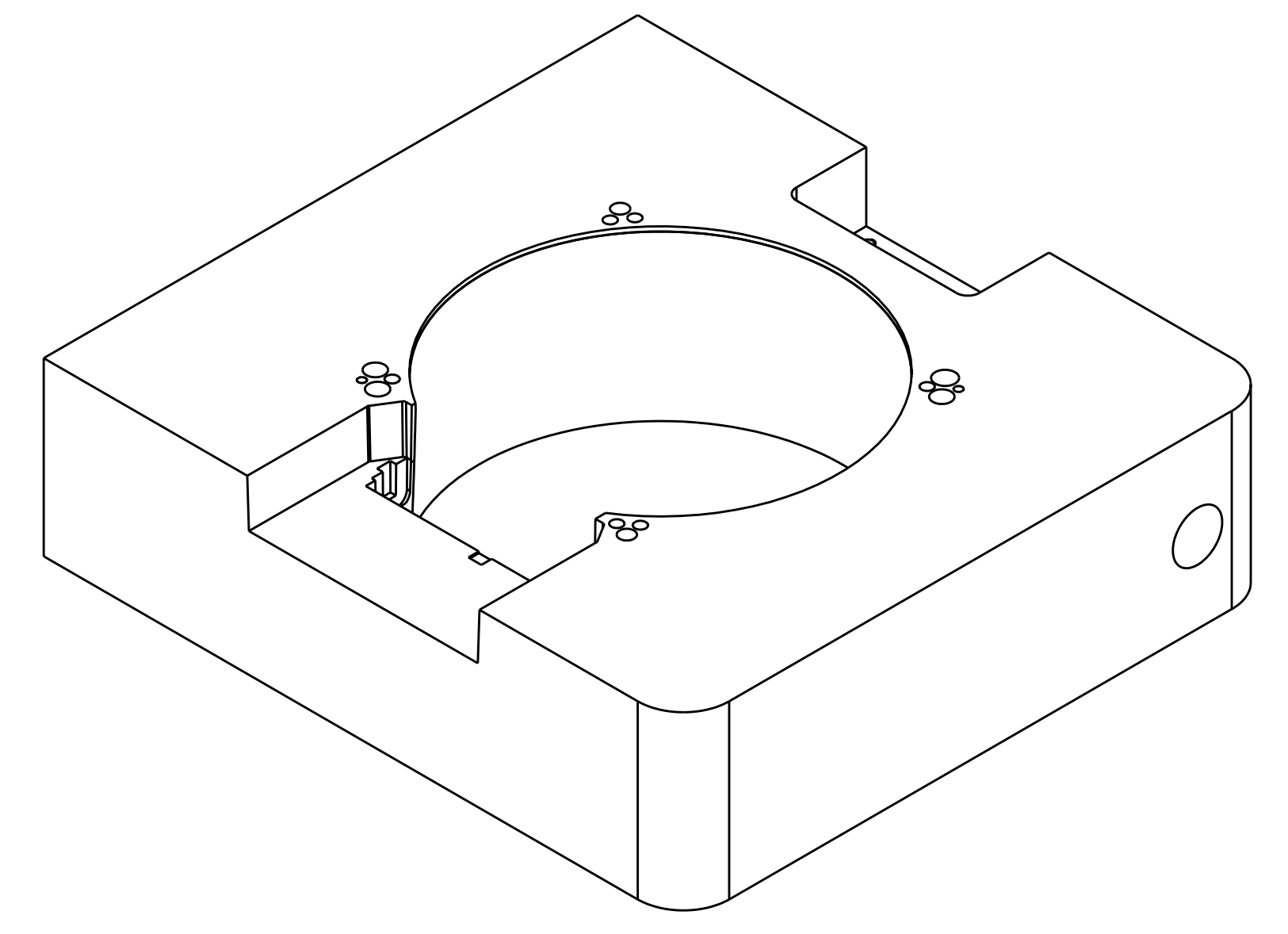


THIS DRAWING IS A CONTROLLED DOCUMENT

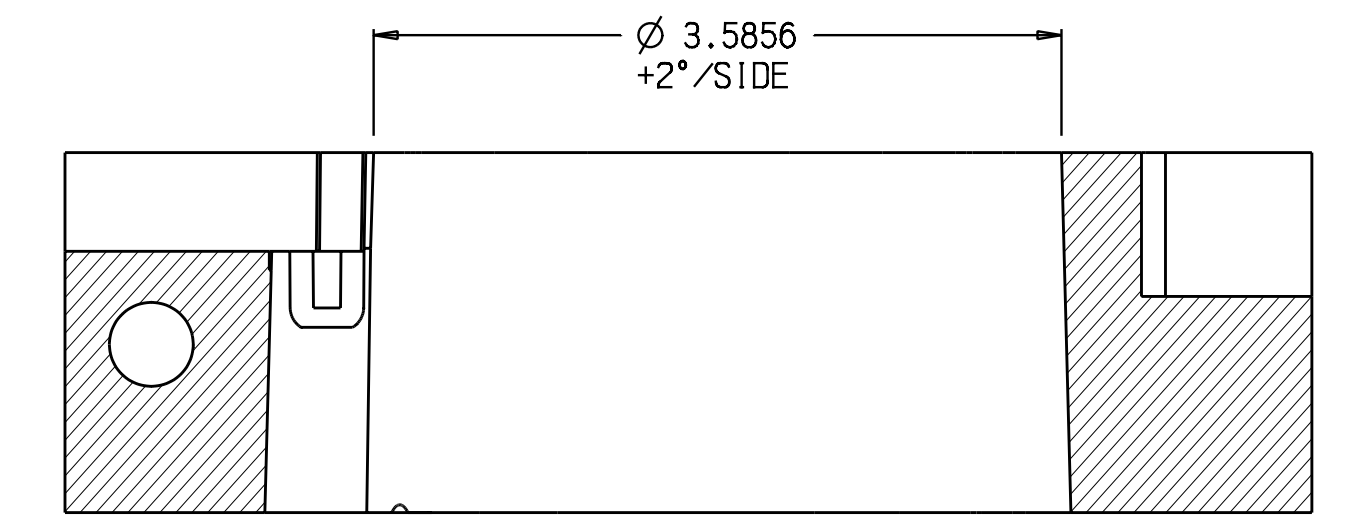
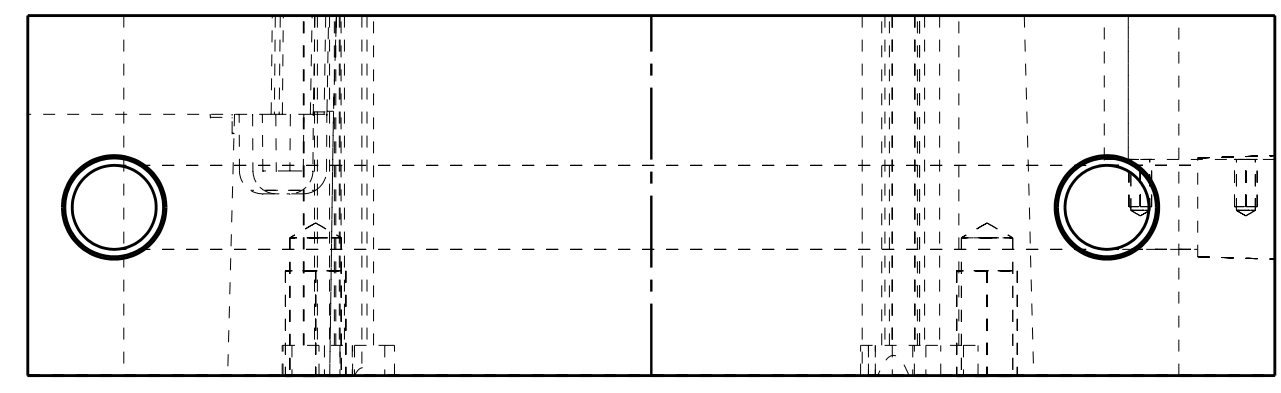
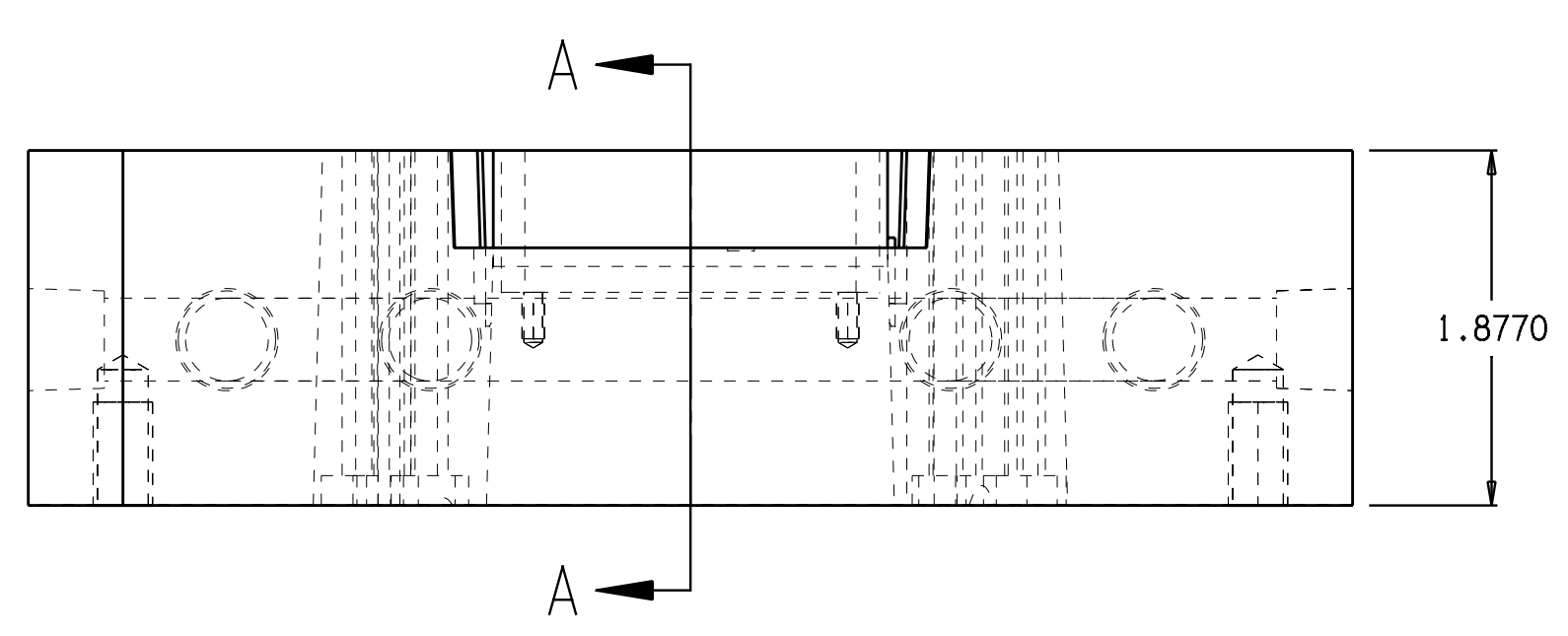
REVISIONS			
REV	DESCRIPTION	DATE	EC



B-CAVITY BLOCK
 MATL: H-13 HRC 48-50
 QTY: 2
 1 AS SHOW
 1 W/ WATER AND
 RADS MIRRORED



B-CAVITY MIRROR



SECTION A-A

THIS INFORMATION IS CONFIDENTIAL AND PROPRIETARY TO CONCEPT MILLS, INC. IT MAY NOT BE DISCLOSED TO ANYONE OTHER THAN CONCEPT MILLS PERSONNEL WITHOUT WRITTEN AUTHORIZATION FROM CONCEPT MILLS, INC., SCHOOLCRAFT, MI.

DIMENSIONS: INCHES	

TOLERANCES UNLESS OTHERWISE SPECIFIED:	
0 PLC	± .01
1 PLC	± .004
2 PLC	± .001
3 PLC	± .0005
4 PLC	± .0005
ANGLES	± 0°30'

DWN	11/02/05	MATERIAL	HEAT TREAT
M WHEELRIGHT			
CHK		12273 N US 131	SCHOOLCRAFT, MI
		49087	(269) 679-2100
APVD		SHRINK:	CUSTOMER TOL. #
		1.022" / "	
NAME: B-CAVITY DETAIL			
SCALE	SIZE	DRAWING NO	SHEET
1:1	D	2621-300	1 OF 1
			REV