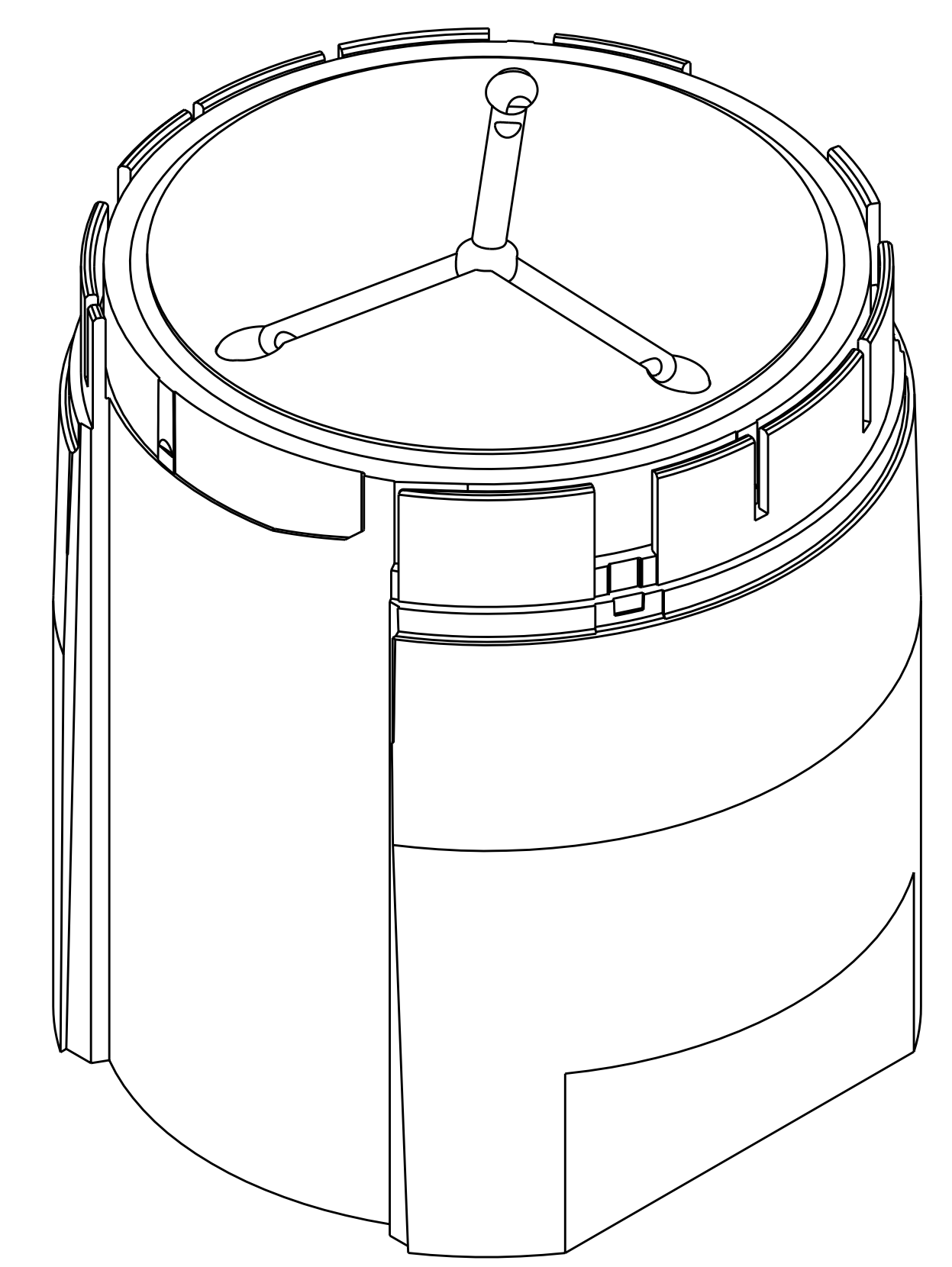
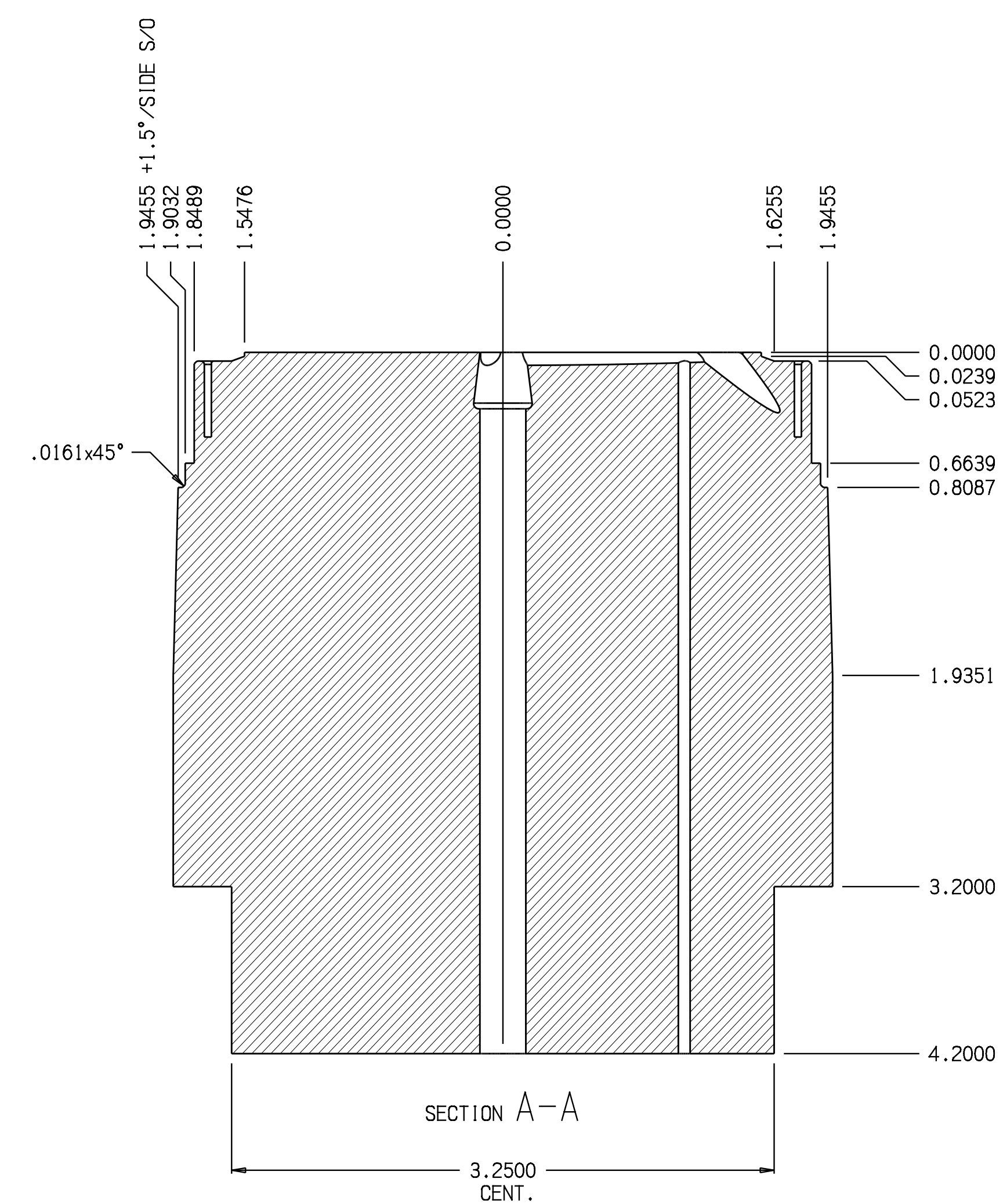
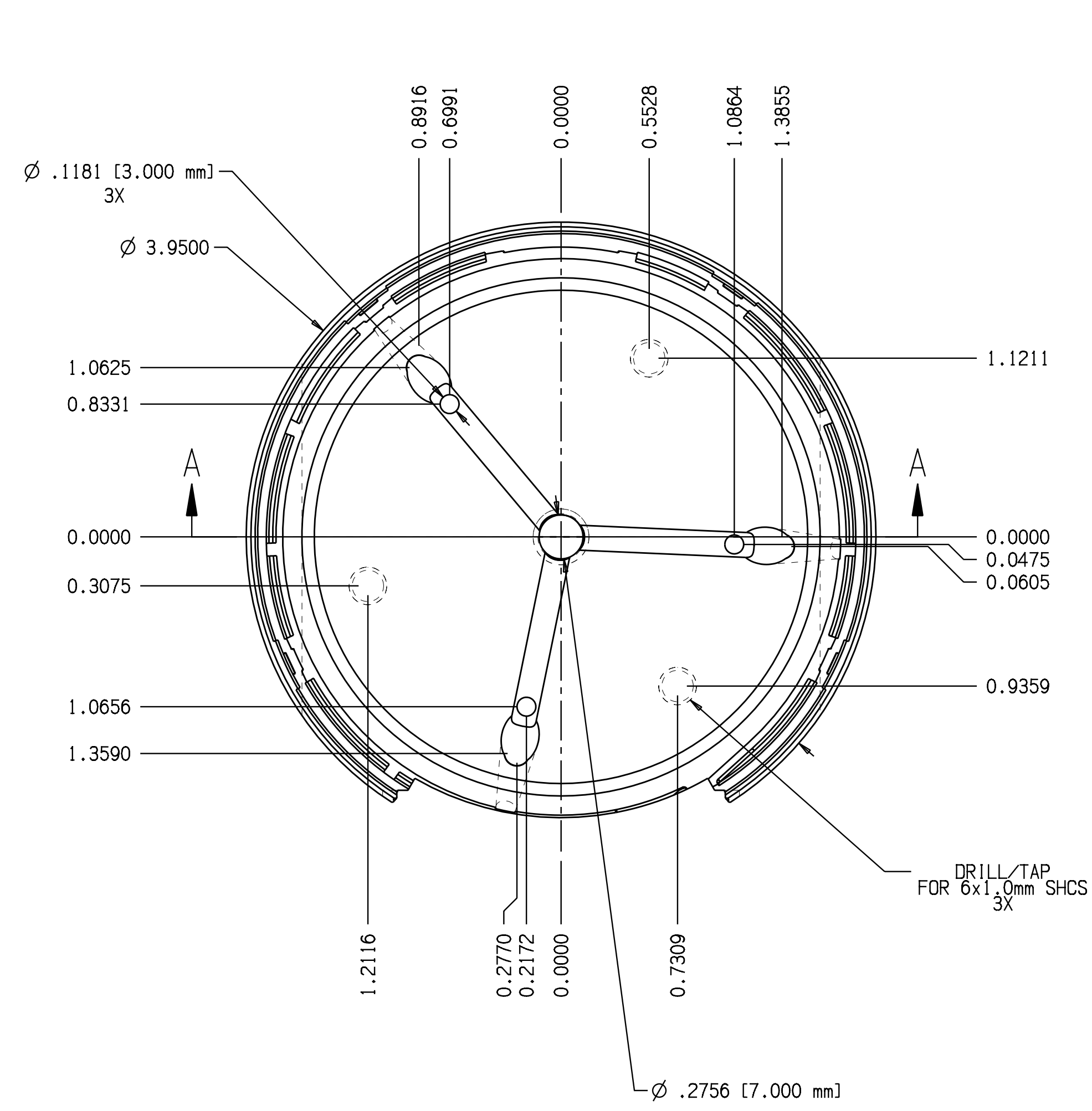
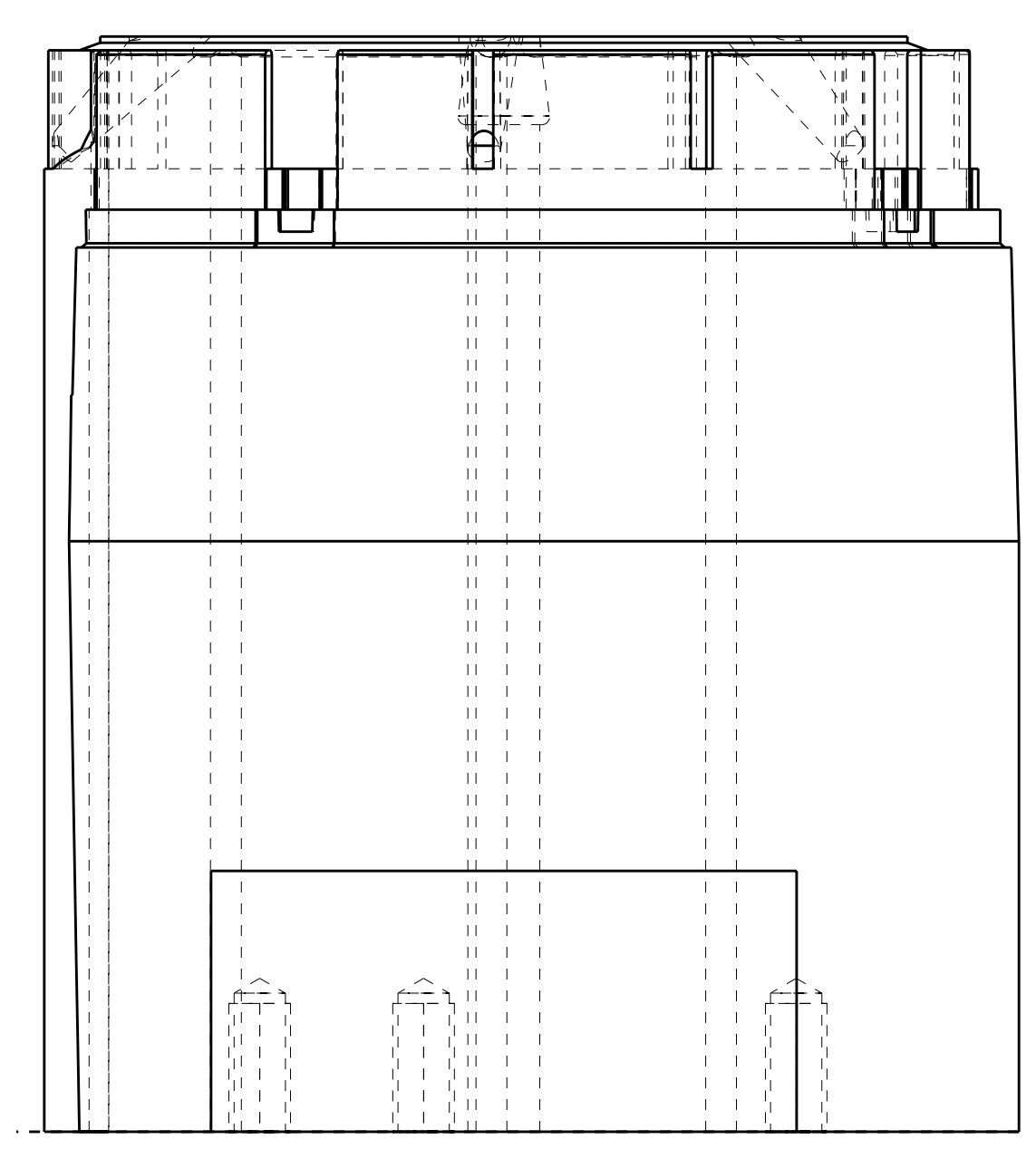
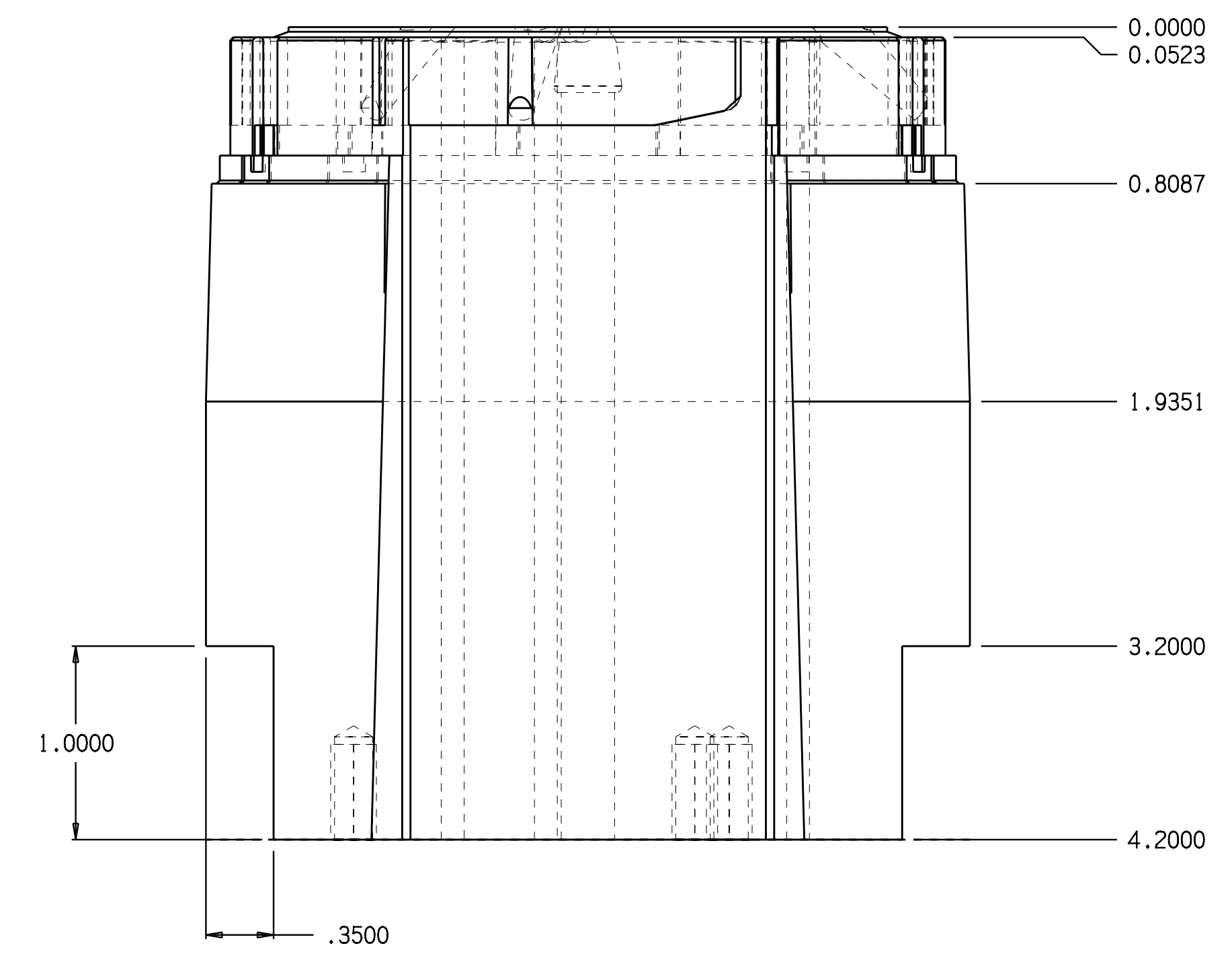


THIS DRAWING IS A CONTROLLED DOCUMENT

REVISIONS			
REV	DESCRIPTION	DATE	EC



B-CORE DETAIL
 MATL: H-13 HRc 48-50
 QTY: 2
 1 AS SHOW
 1 W/ WATER AND
 RADS MIRRORED



DIMENSIONS:
 INCHES

TOLERANCES UNLESS OTHERWISE SPECIFIED:
 0 PLC \pm -
 1 PLC $\pm .01$
 2 PLC $\pm .004$
 3 PLC $\pm .001$
 4 PLC $\pm .0005$
 ANGLES $\pm 0^\circ 30'$

DWN	11/02/05	MATERIAL	HEAT TREAT
M WHEELRIGHT			
CHK		12273 N US 131	SCHULCRAFT, MI
		49087	(269) 679-2100
APVD		SHRINK:	CUSTOMER TOOL #
		1.022" /"	
NAME: B-CORE DETAIL			
SCALE	SIZE	DRAWING NO	SHEET
1:1	D	2621-301	1 OF 1
REV			REV

THIS INFORMATION IS CONFIDENTIAL AND PROPRIETARY TO CONCEPT WHEELS, INC. IT MAY NOT BE DISCLOSED TO ANYONE OTHER THAN CONCEPT WHEELS PERSONNEL. WITHOUT WRITTEN AUTHORIZATION FROM CONCEPT WHEELS, INC., SCHAUBURG, MI.