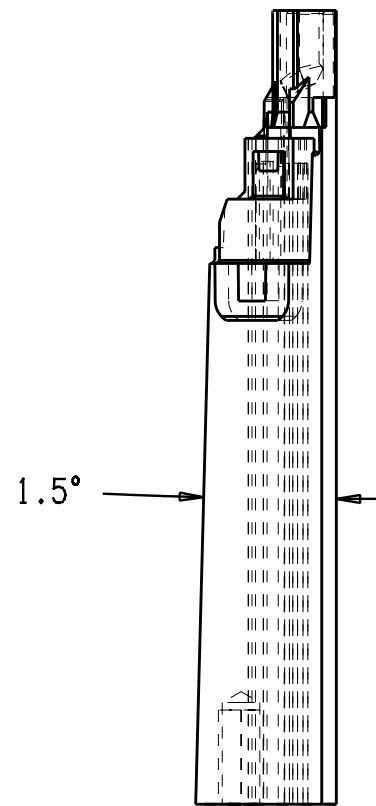
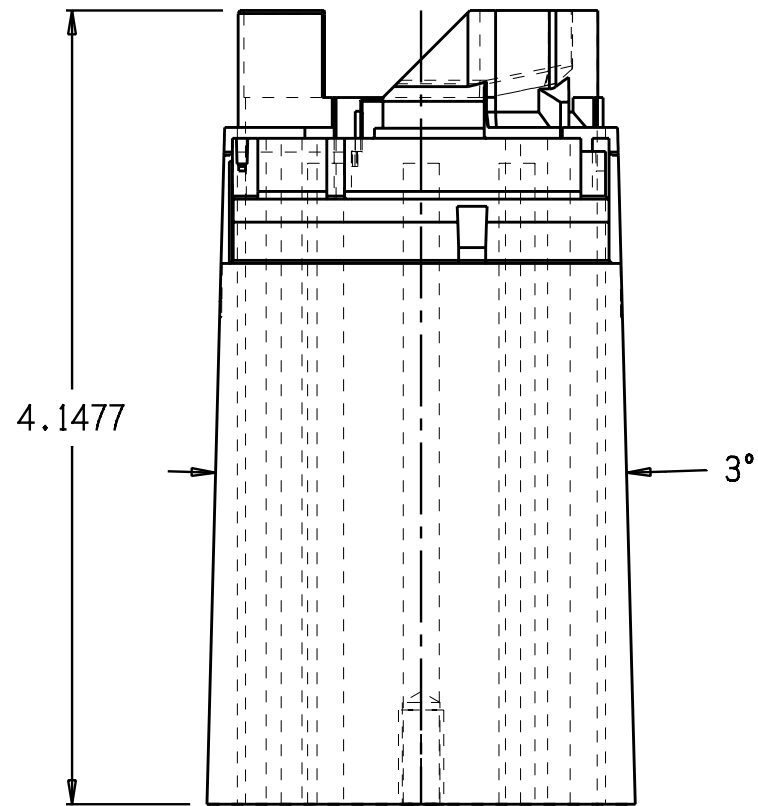
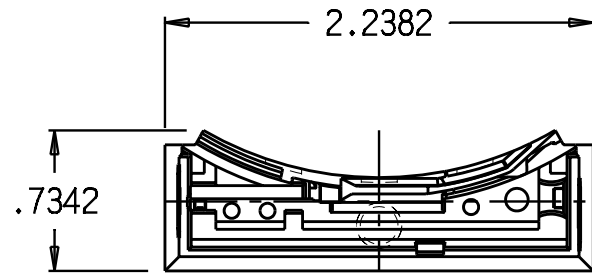
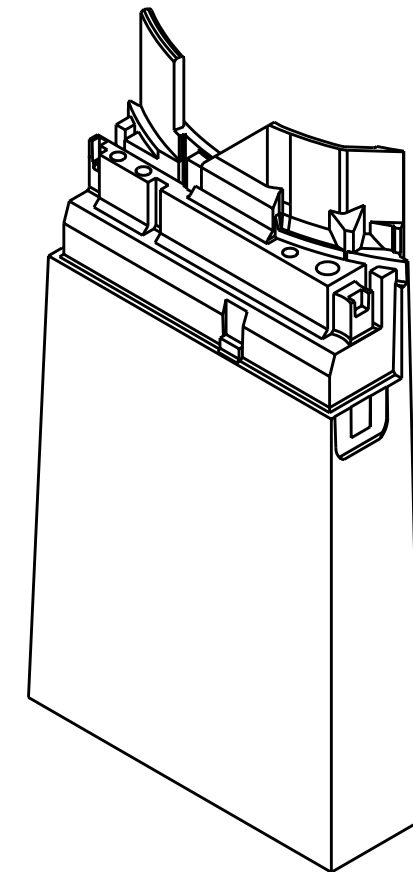


THIS DRAWING IS A CONTROLLED DOCUMENT

THIS INFORMATION IS CONFIDENTIAL AND PROPRIETARY TO CONCEPT MOLDS, INC. IT MAY NOT BE DISCLOSED TO ANYONE, OTHER THAN CONCEPT MOLDS PERSONNEL, WITHOUT WRITTEN AUTHORIZATION FROM CONCEPT MOLDS, INC., SCHOOLCRAFT, MI.



REVISIONS			
REV	DESCRIPTION	DATE	EC



B-1 INSERT  
QTY: 2

DIMENSIONS: INCHES	TOLERANCES UNLESS OTHERWISE SPECIFIED: 0 PLC ±- 1 PLC ±.01 2 PLC ±.004 3 PLC ±.001 4 PLC ±.0005 ANGLES ±0°30'
-----------------------	---------------------------------------------------------------------------------------------------------------------------------

OWN	10/07/05	MATERIAL	H-13	HEAT TREAT	48-50 Rc	QUANTITY	2
M	WHEELRIGHT			12273 N US 131		SCHOOLCRAFT, MI 49087 (269) 679-2100	
CHK				SCHOLCRAFT, MI			
APVD		SHRINK	1.022"/"	CUSTOMER TOOL #			
NAME B-1 INSERT							
SCALE	2:1	SIZE	B	DRAWING NO	2621-302	SHEET	1 OF 1

6

5

4

3

2

PRINTED ON: 02/07/06

D

C

B

A